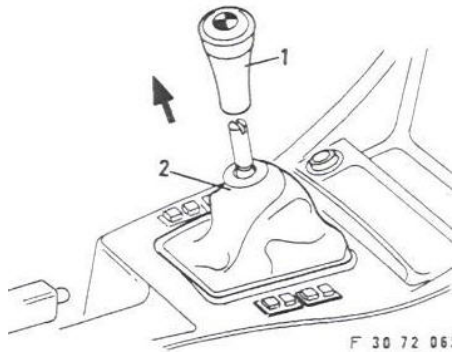


# TURNER motorsport

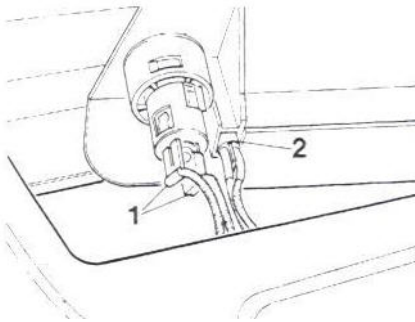
16 South Hunt Rd.  
Amesbury, MA 01913  
Phone: 978-388-7769  
Fax: 978-388-4202  
<http://www.turnermotorsport.com>

## E30 ILLUMINATED SHIFT KNOB INSTALLATION GUIDELINES

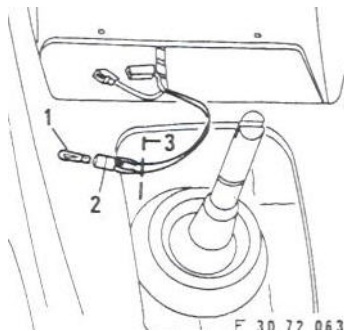
As a precaution to damage to your car's wiring system, disconnect the negative ( - ) battery cable from the terminal on the passenger side of the engine compartment. Do the same for the negative ( - ) cable on the battery itself.



Next remove the gear lever. This is accomplished by putting the car into second (2<sup>nd</sup>) gear and pulling up hard on the shift knob itself. Pull on the knob - not the boot underneath it. Next pull the boot from the center console. The boot is held in place by plastic clips. You can feel where the clips are and are not by tugging along the edges.



Remove the cigarette lighter and ashtray. The ashtray is held in place with 2 screws on the backside of it. Unscrew them and pull up on the ashtray. Disconnect the wires from the cigarette lighter and ashtray light. Set them aside.

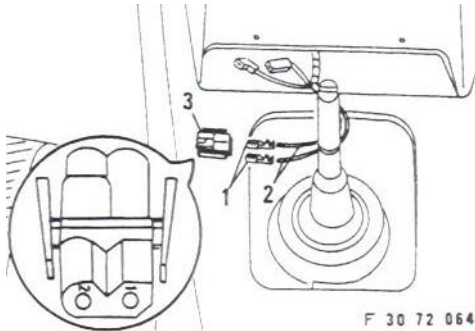


Pull the bulb (#1) from the end of the wire on the lighter's cable (#2). Now cut the wires as shown at #3 in the picture to the left. Remove about 1/8" of the insulation from the wiring.

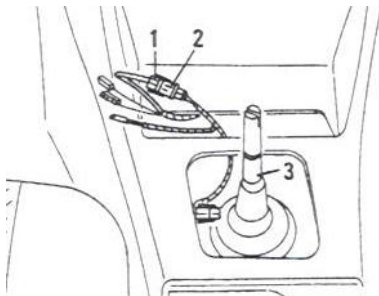
# TURNER motorsport

16 South Hunt Rd.  
Amesbury, MA 01913  
Phone: 978-388-7769  
Fax: 978-388-4202  
<http://www.turnermotorsport.com>

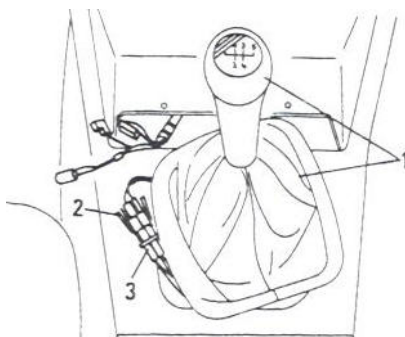
---



Push the cable plugs onto the end of the exposed wires and crimp them firmly down (#'s 1 & 2). Click the cable plugs into the plug (#3 in the picture to the left). The plug is marked "1" and "2". The brown/green wire corresponds to hole 1. The green/red wire goes to 2. They will snap into place with an audible "click" and should not come loose.



Connect the car's plug from the dash onto the new plug. Run the other end of the wire to the gear lever by going under the center console.



Run the supplied shifter wiring harness through the opening in the gear lever boot. Place the Illuminated Shift Knob and boot over the shift lever but do not secure them in place. Connect the car's cable to the shifter's harness.

Reverse instructions to re-install shift boot and knob. Remember to press firmly on the knob to get it to stay. Note: your cigarette lighter will not illuminate. This is the trade-off for having the shift pattern illuminated on the knob. Enjoy!